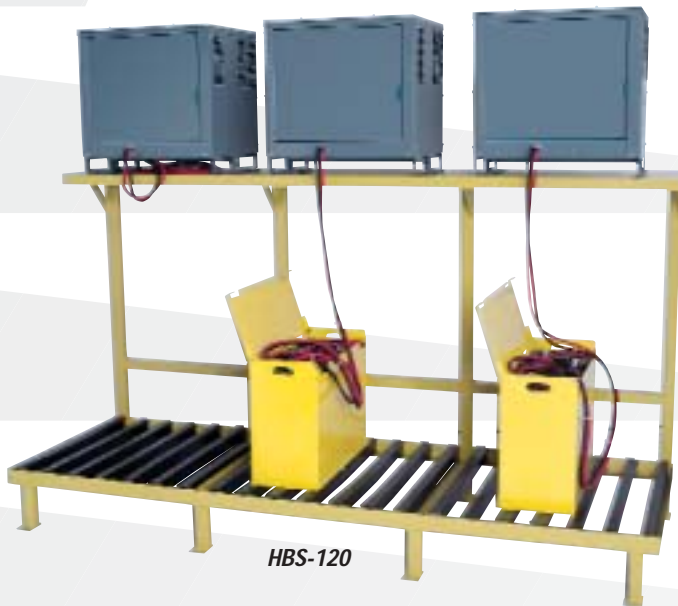


BATTERY & CHARGER STATIONS

## *HARDWOOD BATTERY STATIONS*

### **MODELS HBS**

- *Offers range of models for every application demand*
- *Plastic battery decking standard*
- *Hardwood battery decking available upon request*



*HBS-120*



*HBS-72-1*

BATTERY HANDLING SYSTEMS



## BATTERY & CHARGER STATIONS

# HARDWOOD BATTERY STATIONS

MODELS: HBS



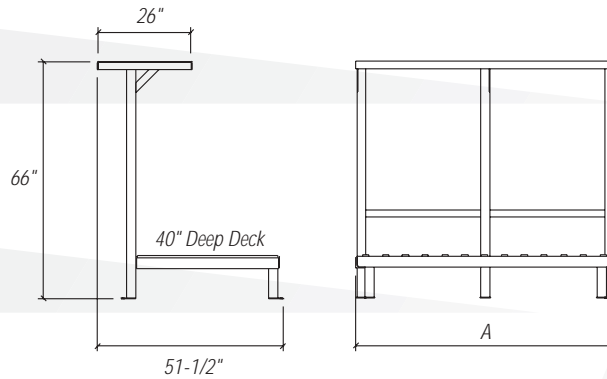
HBS -72-1



HBS -120

### SPECIFICATIONS

| HBS Models | Overall Stand Width (A) |
|------------|-------------------------|
| HBS-30     | 30"                     |
| HBS-42     | 42"                     |
| HBS-60     | 60"                     |
| HBS-72     | 72"                     |
| HBS-84     | 84"                     |
| HBS-96     | 96"                     |
| HBS-108    | 108"                    |
| HBS-120    | 120"                    |
| HBS-144    | 144"                    |



### FEATURES & BENEFITS

- Heavy duty frame construction for added reliability
- Charger shelf standard on all models
- Interlay charging surface made of recycled polyethylene is acid resistant, nonconductive and environmentally friendly
- Custom-built models made to your specifications
- Models available without charger shelf. Add -1 to model number
- 12" standard height from floor to top of plastic interlay
- Full one-year warranty
- Wood sideways available. Add -WS to model number
- CR-1 cable retractor mounting holes
- Charger connector mounting holes



P.O. Box 28990  
St. Louis, MO 63132 USA  
1.800.BHS.9500  
Fax: 314.423.6444  
E-mail: [bhs@bhs1.com](mailto:bhs@bhs1.com)  
Web: [www.bhs1.com](http://www.bhs1.com)

Specifications are subject to change without notice. Copyright © 2000, Battery Handling Systems Inc., St. Louis, MO  
Data Sheet: SF-1800 08/00 15M