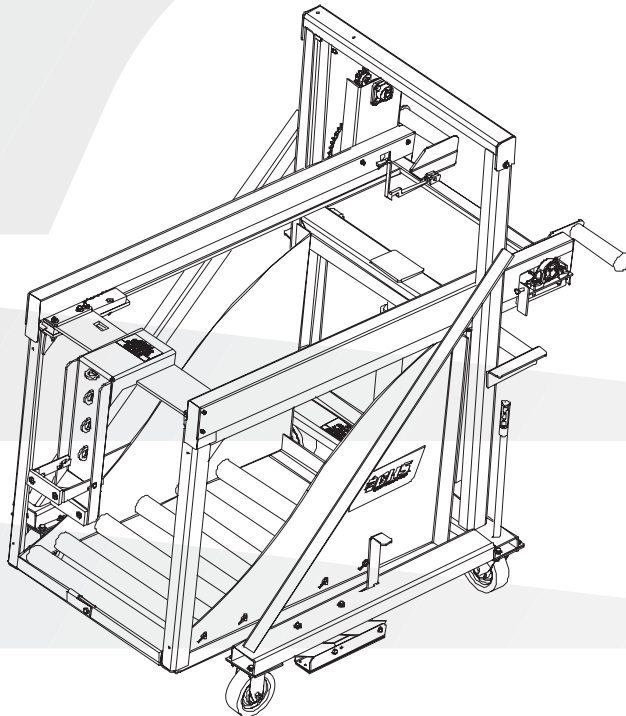


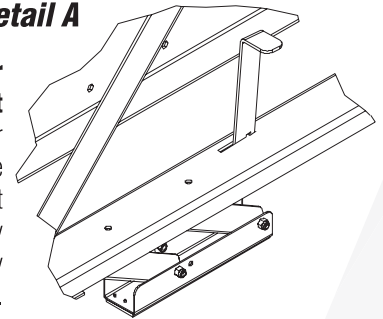
Battery Transfer Carriage Enhancements



Detail A

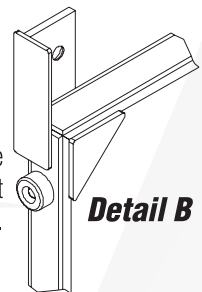
NEW! Vector floor lock enhancement

The exclusive BHS vector floor lock eliminates the need for attachment chains during battery extraction, now has easy to lift handles.



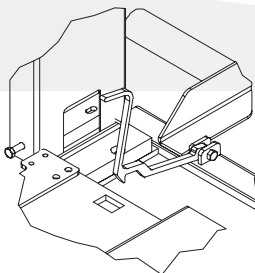
NEW! Rubber Bumper (BTC-RB-OPT)

Rubber bumper option is available to protect your lift truck fleet during battery change outs.



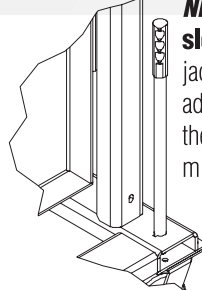
Detail B

Detail C



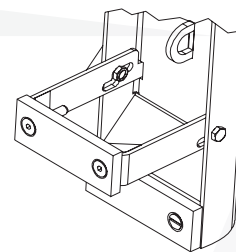
NEW! BTC locking handle keeps the extractor arm stationary while transporting the battery.

Detail D



NEW! BTC storage slots for the hydraulic jack handle. This addition helps prevent the handle from being misplaced.

Detail E



NEW! Push arm extension (BTC-TA)

This option provides a low cost solution for extending the extractor arm an additional 4" past the current 6" extension.

ADDITIONAL ENHANCEMENTS

- **NEW!** BTC overall height lowered to reduce freight cost.
- **NEW!** Increased guarding around the extractor arm drive chain, and access panels for the hand wheel gearbox. These enhancements allow extra protection for the operators.
- **NEW!** The new re-designed inner frame side panels are now constructed of one piece, providing a stronger frame.